



G4 EDEN Matrix V Air Cooled Condenser



FEATURES

- ❖ V-Shaped - Space saving design
- ❖ High quality powder coat finish to complement the aesthetic look
- ❖ Advanced smart circuitry and double sine wave coil technology designed to save input energy and maximize the coil performance
- ❖ Low oil retention for better heat transfer coefficients
- ❖ Discharge and Liquid headers are built into the case design for added protection and safety
- ❖ All fans are compartmented for better efficient during fan cycling option
- ❖ Standard 2 speed German fans motors are used. EC fans option available, to maintain ideal discharge pressure and reducing condenser fan power during low load condition
- ❖ Low Noise and Environmental Friendly

EVC-CONDENSER SPECIFICATIONS 11FPI

| Model | Capacity R22 | | Fan Data | | | | | | | | |
|-------------|--------------|---------|------------|-----------|---------|--------|------------------------------|-------------|-----|-----------------|--------|
| | kW | Btu/hr | No. of Fan | Fan Motor | | | Air Flow (m ³ /h) | Noise Level | | Connections(mm) | |
| | 15 KTD | 27FTD | | (rpm) | (Watts) | (Amps) | | 3m | 10m | Inlet | Outlet |
| EVC 0680.52 | 68 | 232,016 | 2 | 1,310 | 1,580 | 3.70 | 15,880 | 66 | 56 | 34.9 | 28.6 |
| EVC 0810.52 | 81 | 276,372 | 2 | 1,310 | 1,580 | 3.70 | 14,920 | 66 | 56 | 34.9 | 28.6 |
| EVC 0950.53 | 95 | 324,140 | 3 | 1,310 | 2,370 | 5.55 | 20,900 | 68 | 58 | 34.9 | 28.6 |
| EVC 1180.53 | 118 | 402,616 | 3 | 1,310 | 2,370 | 5.55 | 19,750 | 68 | 58 | 34.9 | 28.6 |

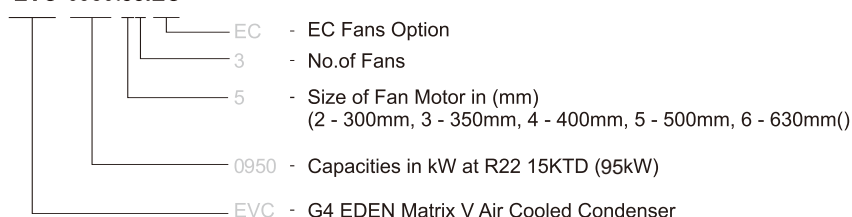
Eden cannot guarantee performance of the condensers (capacities ratings, sound level etc), if non standard motors are used. Fan Motors are 400V/3Ph/50Hz

* Sound pressure levels are measured in conformity to DIN 45635 and ISO 3744/3745.

* Sound pressure levels are shown in catalogue at a distance of 3m and 10m, under Inverse Square Laws. Sound pressure Sound levels for 1m are at source.

Nomenclature

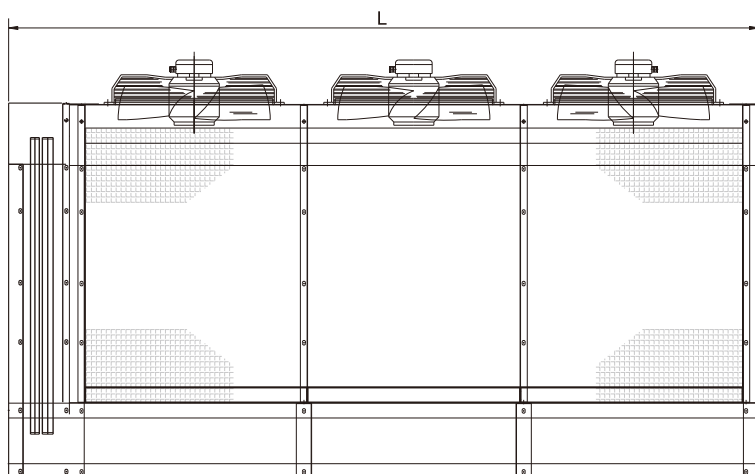
EVC 0950.53.EC



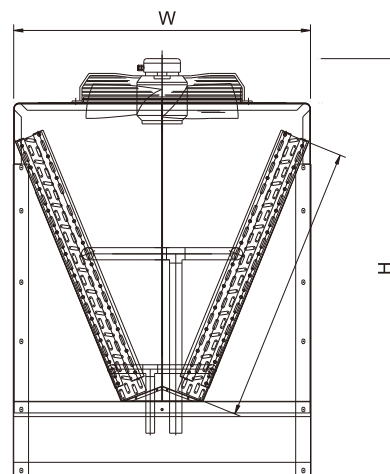
EVC-DIMENSION

| Model | Size (mm) | | | | | | Weight (kg)* |
|-------------|-----------|-----|------|------|------|------|--------------|
| | H | W | L | H* | W* | L* | |
| EVC 0680.52 | 1375 | 974 | 1706 | 1575 | 1170 | 1900 | 275 |
| EVC 0810.52 | 1375 | 974 | 1706 | 1575 | 1170 | 1900 | 315 |
| EVC 0950.53 | 1375 | 974 | 2406 | 1575 | 1170 | 2600 | 375 |
| EVC 1180.53 | 1375 | 974 | 2406 | 1575 | 1170 | 2600 | 430 |

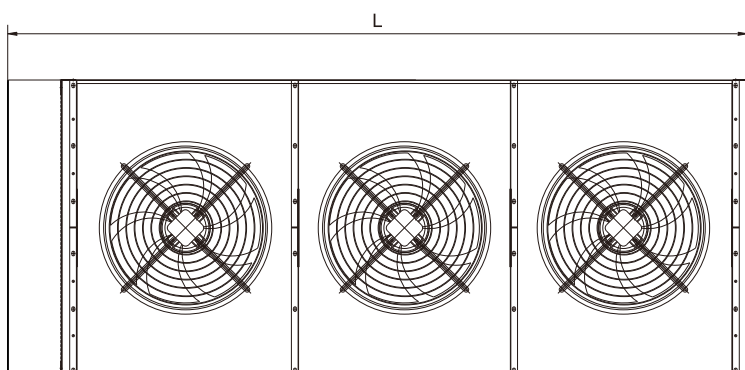
* Packed Dimensions / Weight



FRONT VIEW



SIDE VIEW



PLAN VIEW

